

Nexus Push-To-Talk System M9177/5-2 (U-94A/U)

[Technical Data sheet]

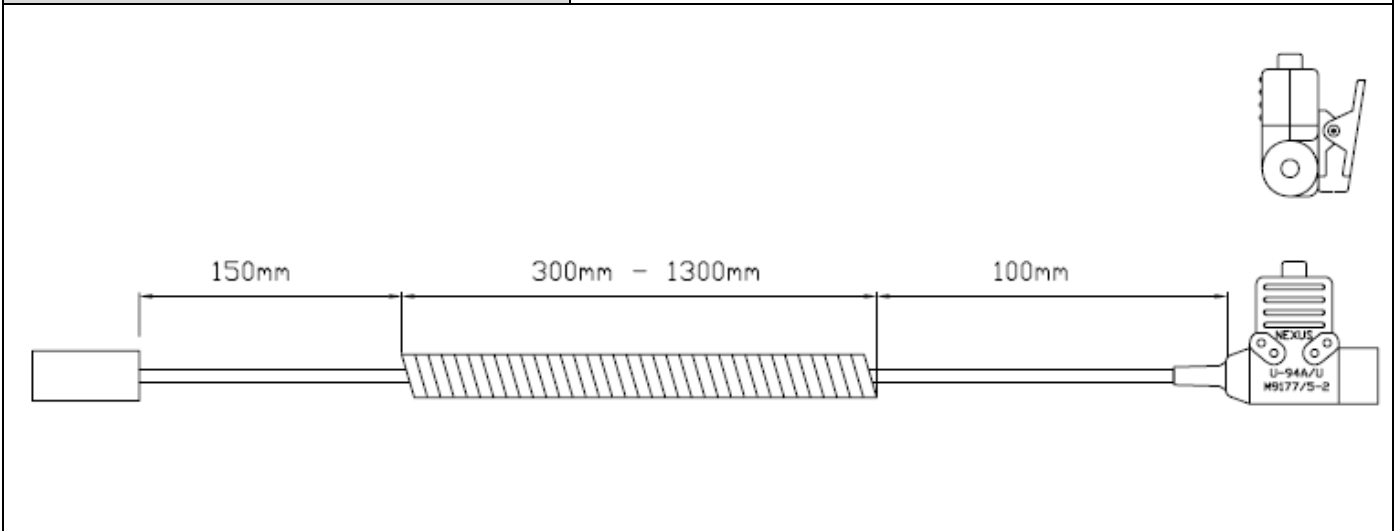


Features

- Compact and rugged design
- Complete assembly with headset connector, PTT Box, coiled down lead and radio interface
- Black body with a robust click switch button
- Clip system for attachment to clothing or protective vests

Technical information

Headset connector:	Heavy duty Nexus connector
Down lead:	Coiled, heavy duty down lead
Water resistance:	Splash proof
Weight, approx.:	150 gram (varies between different radio interface)
Radio interface and product numbers:	See ordering information table



Nexus Push-To-Talk System M9177/5-2 (U-94A/U)

[Technical Data sheet]



Ordering information		
Communication radios		P/N PTT box
EADS	THR880/ THR880i	SOR75903-015
ICOM	F3, F3S, F4, F4S, F4TR, F10, IC-H2, H6, J12, M5, U12, U16, IC4008, 4088A.	SOR75903-007
KENWOOD	TK-272G/372G, TK3130 ProTalk XLS, TK-3131 Free Talk XLS, TK-220/320, 240/340, 240D/340D, TK208/308, 430/431, 250/350/353, TK260/270, 260G/360G, 360/370, 270G/370G, 248/348, 2100/3100, 2160/3160 ProTalk, 3101 FreeTalk XL 2102/3102 ProTalk	SOR75903-009
LAFAYETTE	Micro3+	SOR75903-008
MAXON	SP120, SP130, SP140, SL25, SL55, SL55+	SOR75903-003
MAXON	SP-200, SP210, SL100 and Legacy Series-PL1145, PL2245, PL2215P, PL2245P, PL2415, PL2445, PL5161, PL5164	SOR75903-010
MIDLAND	G7	SOR75903-008
MOTOROLA	HT750, HT1250, HT1250LS, HT1550/HT1550XLS, MTX850/MTX850LS, MTX8250/MTX8250SL, MTX950/MTX9250, GP140, GP320, GP328, GP338, GP340, GP360, GP380, GP640, GP1280, PRO5150, PRO9150	SOR75903-001
MOTOROLA	GP300, SP50, P110, P-1225/P1225LS, LTS2000, CP88, CP150, CP200, CT150, CT250, CT450, CT450LS, GP308, P080, P2000, PRO2150, PRO3150, P040, P080, GP68, GP88, PR400, SP10, SP21, XTN500, XTN600, PRO1150, CP100, PMR446, XTN446, XU1100, CLS1110, CLS1410, XU2600, HLN9716, HLN9482A,	SOR75903-002
MOTOROLA	XTS3000/Astro, XTS3500, XTS2500/XTS5000 and HT-1000 Series (HT-1000, MT2000, MTS3000, MTX8000, MTX838, MTX9000, MTX-LS, (JT1000), GP900	SOR75903-005
MOTOROLA	GP-344/388, GP-328+/338+, EX-500/600, GL-2000	SOR75903-011
SEPURA	SRP2000	SOR75903-014
THALES	PRC-148	SOR75903-006B
VERTEX/YAESU	VX-310, VX200, VX500, VX-510L, VX-520U	SOR75903-007
VERTEX/YAESU	VX-210 , VX-210A, VX-150, VX-160, VX-180, VX-246	SOR75903-012
VERTEX/YAESU	VX-820, VX-821, VX-824, VX-829, VX-920, VX-921, VX-924, VX-929	SOR75903-013
ZODIAC	BT-serie, BT-160, BT-31	SOR75903-007

NB! If your radio isn't found in the list, please ask your local MSA contact for more information.

For some radio models, MSA may require that a PTT sample is tested and confirmed by customer before order confirmation.